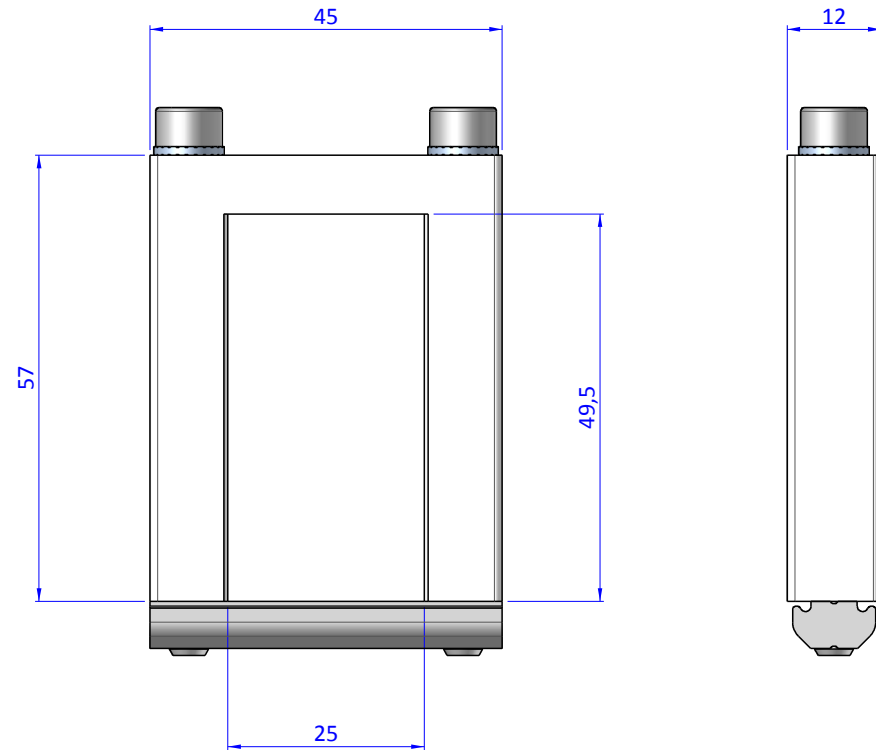
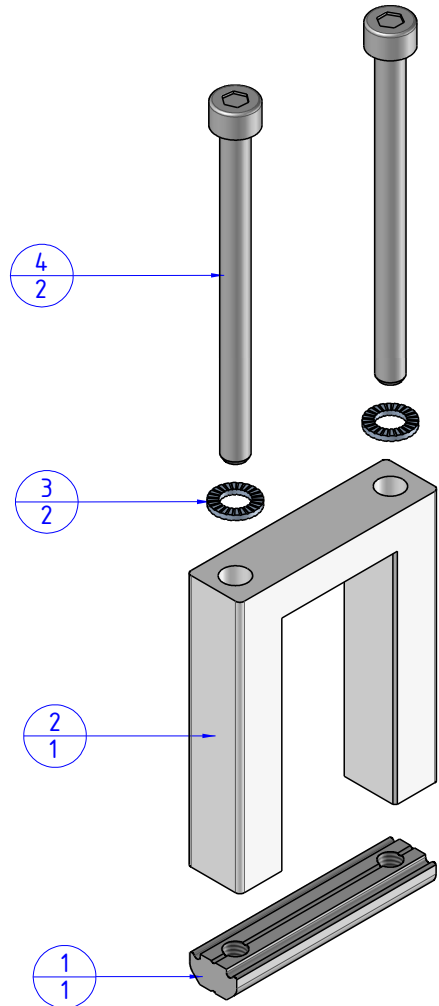



THE PROPERTY OF THE DRAWING IS ESTABLISHED BY LAW. IT IS FORBIDDEN TO PRODUCE OR SHOW IT TO THIRD PARTY, WITHOUT A WRITTEN AGREEMENT.

Item	Name	Q.ty
1	CA.GWP.5.35	1
2	KBVX.2550	1
3	R.5.SCH	2
4	V.TCE5x65	2



Format A3

UNI 936-76

 FPS SERVICES AUTOMATION		DESIGNED FROM		REVIEW
		FPS Automation		A
GENERAL TOLERANCE UNI - ISO 2768 CLASSE f		DATE	WEIGHT	
		12/03/2019	0,054kg	
DESCRIPTION		CODE		
CA.KBVX.2550		CA.KBVX.2550		